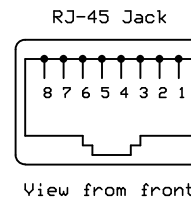
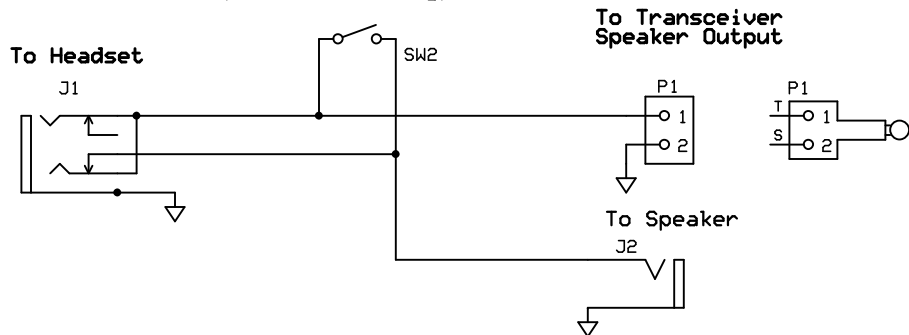
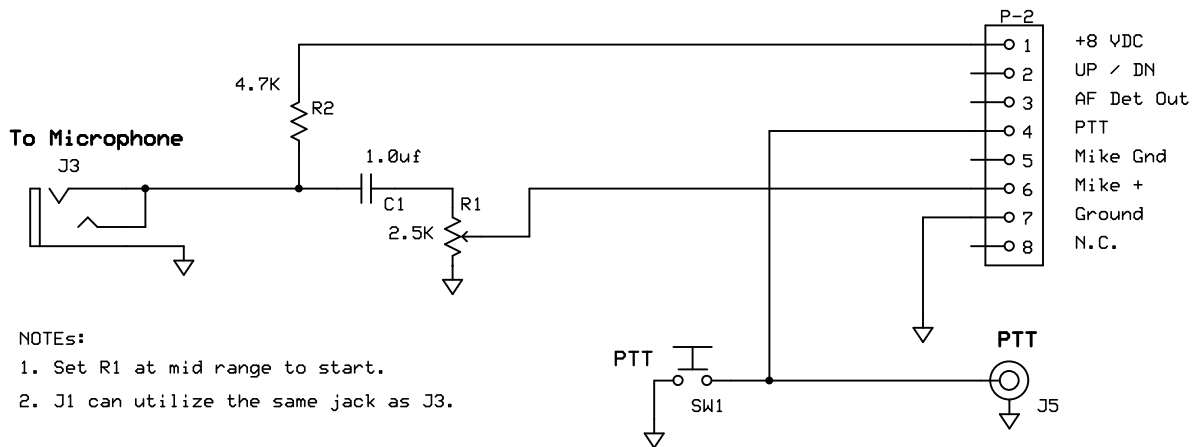


Optional Audio Bypass



To Computer Style Headset

RJ-45 to Transceiver



NOTES:

1. Set R1 at mid range to start.
2. J1 can utilize the same jack as J3.

From an original idea by W5BJ

<Use only as a reference. Your results may vary.>

(Please report any errors or omissions to NSTIM@arrl.net)

IC-2350H Headset Interface		
NSTIM's Musings		
John Galvin	Rev 1.0 12/2005	Page 1 of 1