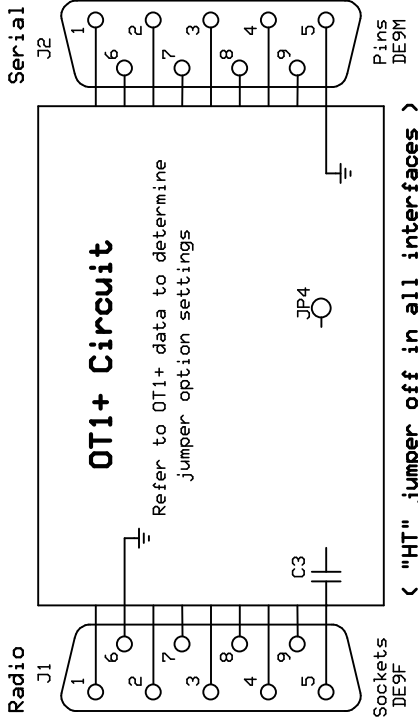
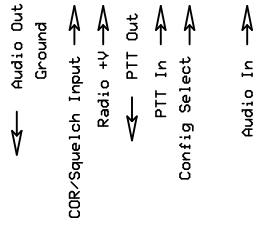
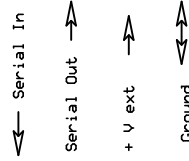


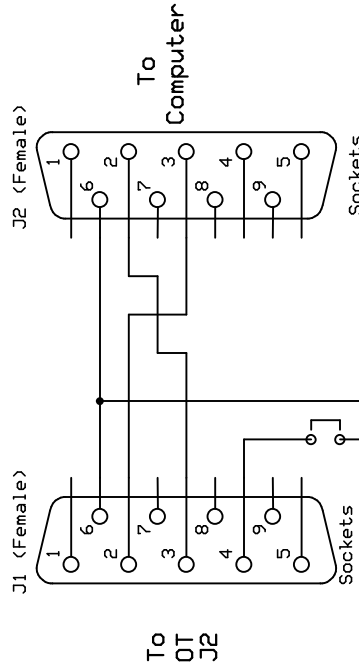
J1 is the Radio connection port.



J2 is the Programming Port as well as the GPS serial input port.

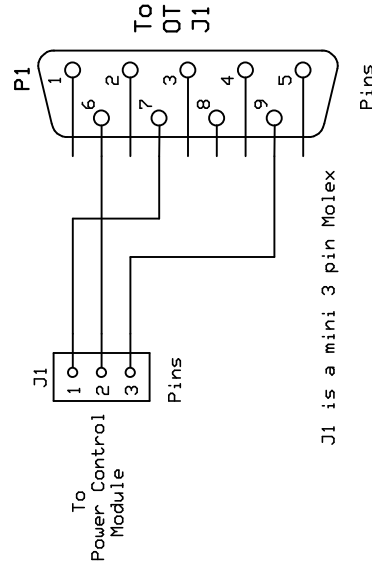


Programming Cable



(OT must be powered to program)
 OT jumper must be set to 12 V if you use external voltage on J1.

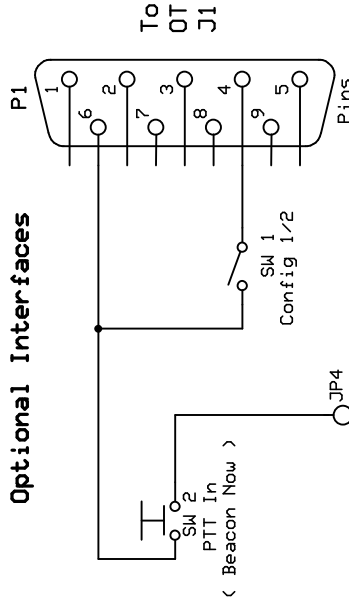
Power Control Connections



J1 is a mini 3 pin Molex

See Power Switch 2 Drawing
 With +12V on the Power Control Module you can power the OT from it.

Optional Interfaces

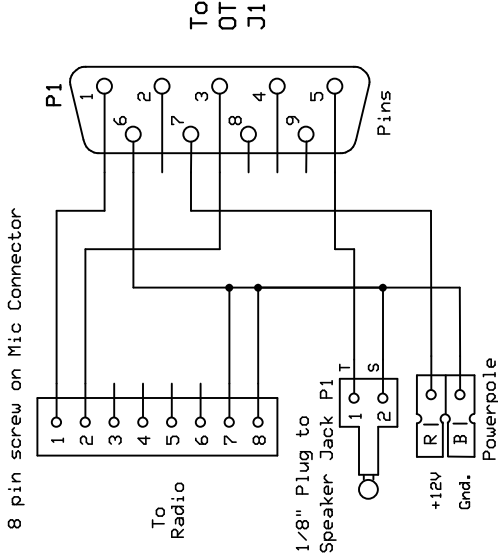


See Tracker documentation for details and programming on these functions.

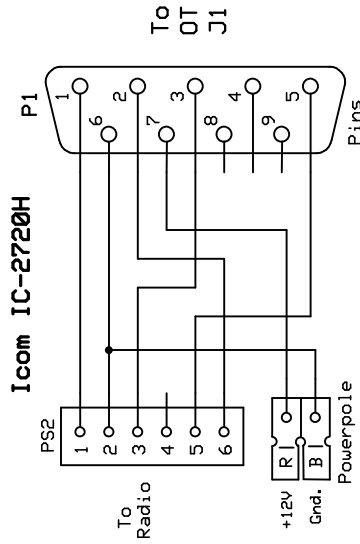
<Use only as a reference. Your results may vary.>

(Please report any errors or omissions to NSTIM@arrl.net)

Kenwood TM-201B

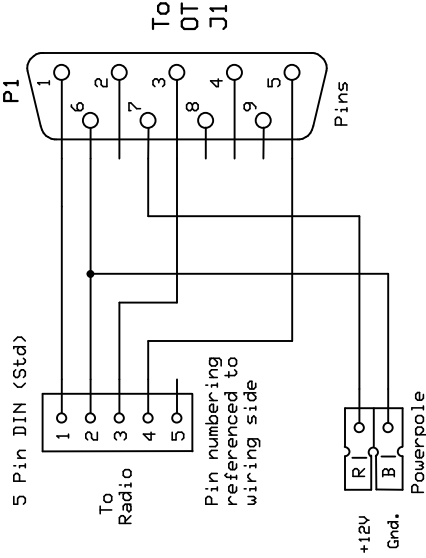


Yaesu FT-8100/8800 PS2

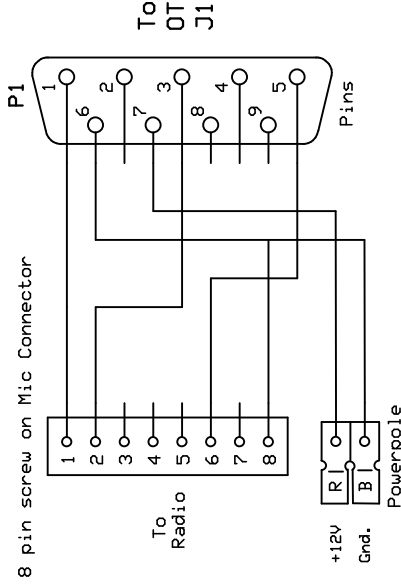


This design uses the Carrier Detect feature. Select "Invert CD" on Tracker

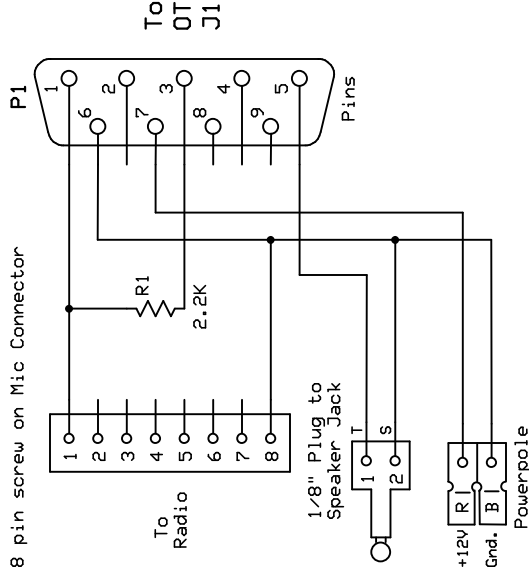
Yaesu FT-227R



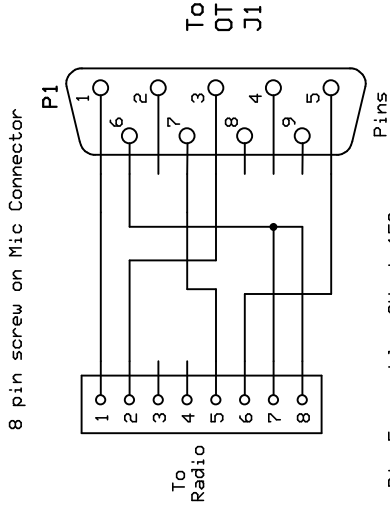
Alinco DR-1200



RS HTX-252



Kenwood TM-241



Pin 5 provides 8V at 150 ma.
Pin 6 provides Audio at ~ 100mV/10k ohm
Check Speaker Audio with volume control

Tracker Radio Interfaces

NSTIM's Musings

John Galvin

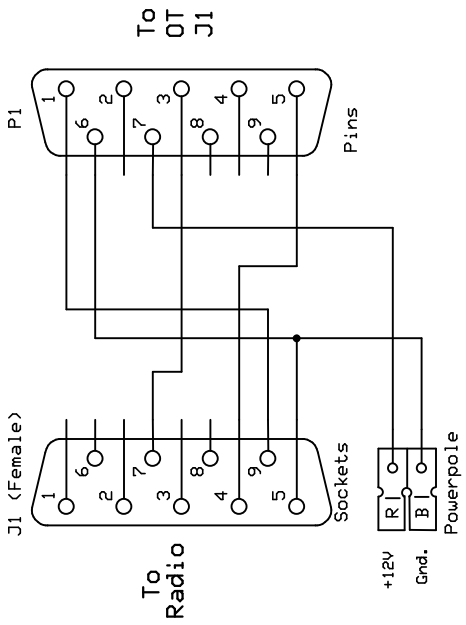
Rev 1.1a
3/12/2007

Page 2

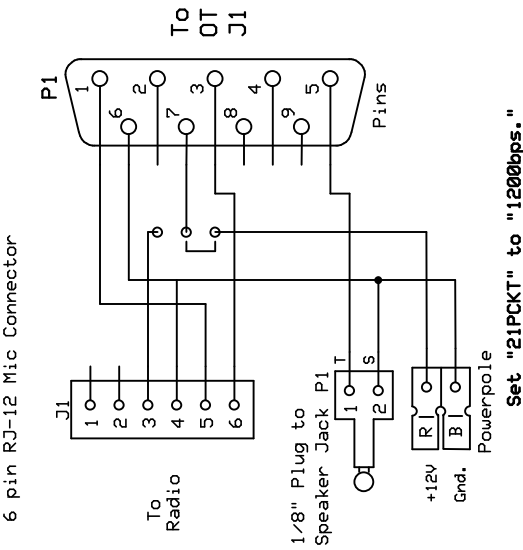
(Use only as a reference. Your results may vary.)

(Please report any errors or omissions to NSTIM@arr1.net)

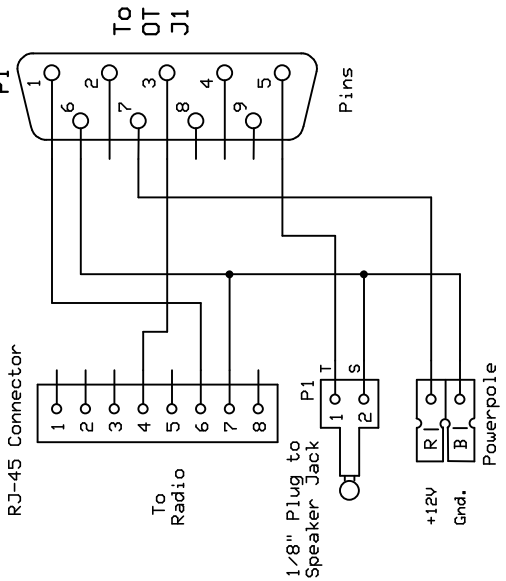
YAESU FT-2600



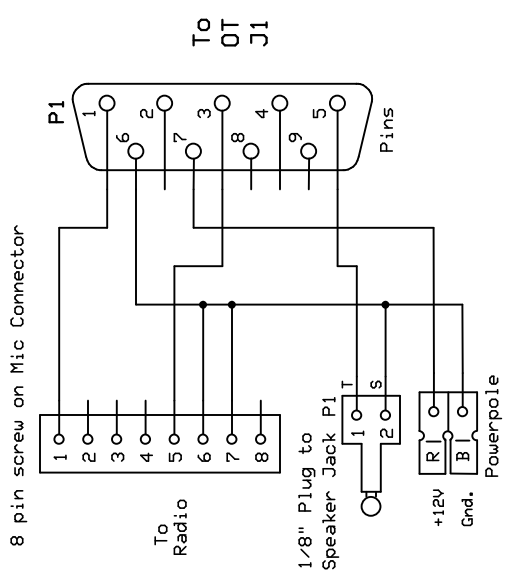
Yaesu FT-90



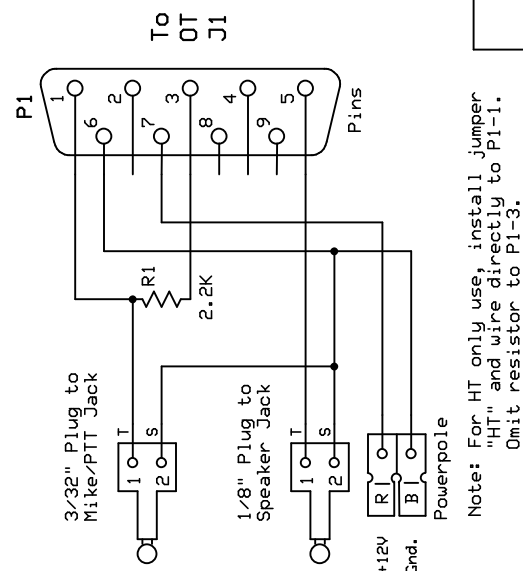
Icom IC-2100/2200H



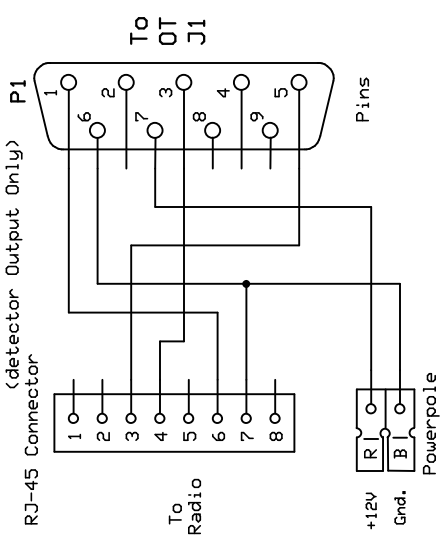
Icom IC-25



Alinco DR-180



Icom IC-2200H
(detector Output Only)



Note: For HT only use, install jumper "HT" and wire directly to P1-1. Omit resistor to P1-3.

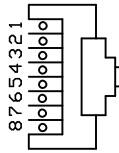
Tracker Radio Interfaces

NSTIM's Musings

(Use only as a reference. Your results may vary.)

(Please report any errors or omissions to NSTIM@arrl.net)

RJ-45 Plug



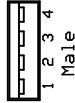
Front View

USB mini
Front View



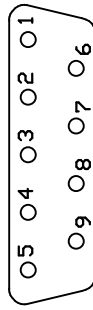
Pin X is the ID function

USB "A" Connector



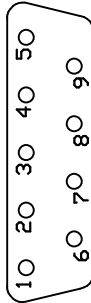
- 1 - +5VDC
- 2 - D-
- 3 - D+
- 4 - Gnd.

DB-9 Male (Pins)



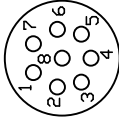
Solder (wire) side

DB-9 Female (Sockets)



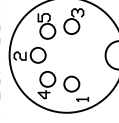
Solder (wire) side

8 Pin Screw On



Solder (wire) side

5 Pin DIN Connector



Solder (wire) side

Tracker Radio Interfaces

Connectors

John Galvin

Rev 1.0
5/21/2009