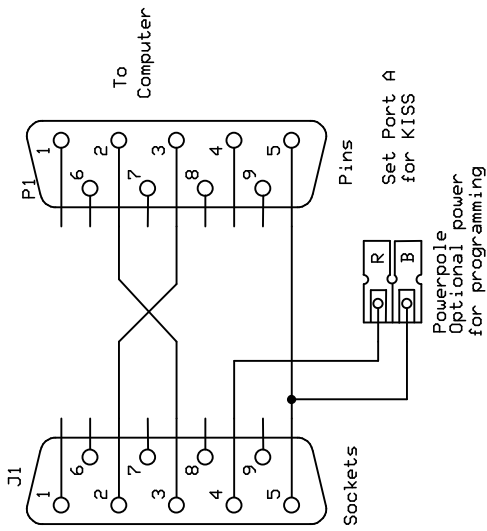


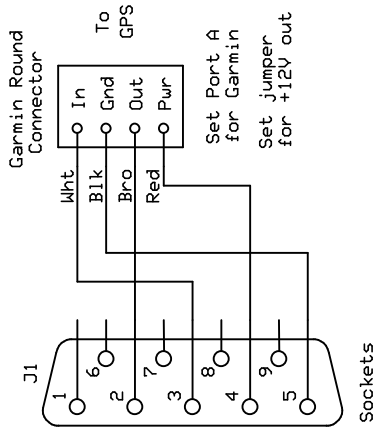
**<Use only as a reference. Your results may vary.>**

(Please report any errors or omissions to [N5TIM@arrl.net](mailto:N5TIM@arrl.net))

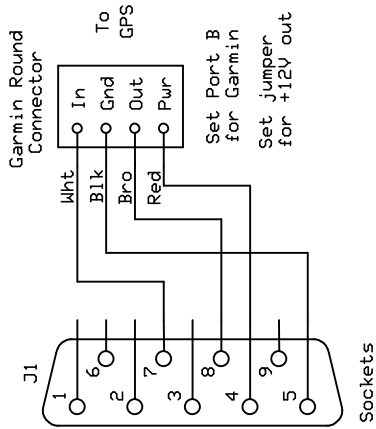
**KISS mode Computer interface and configuration cable**



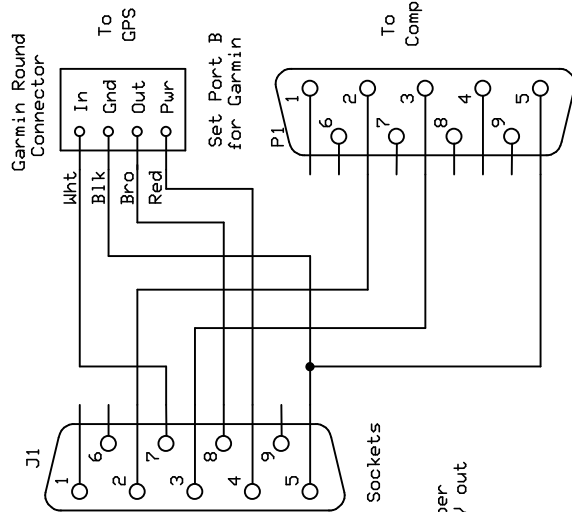
**GPS interface (A Port)**



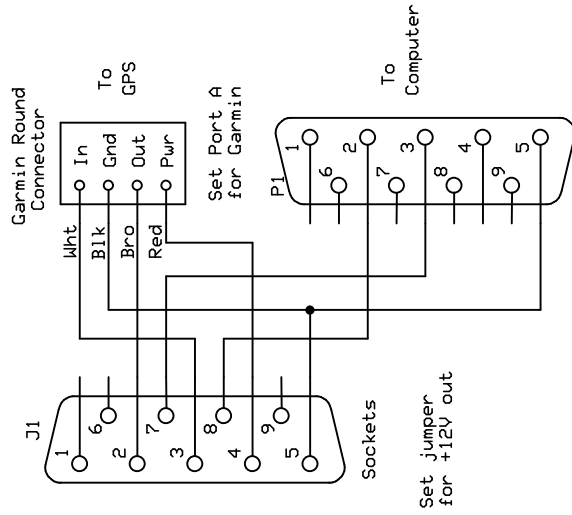
**GPS interface (B Port)**



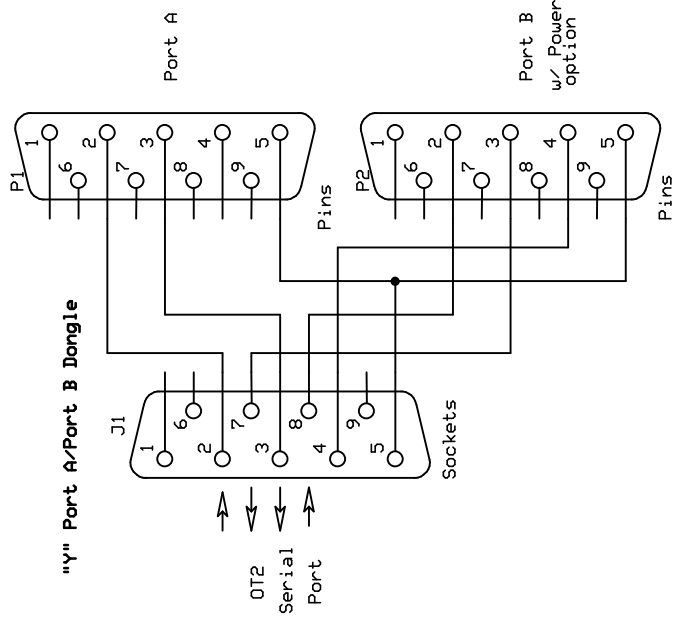
**Kiss (Port A) & GPS (Port B) interface**



**Kiss (Port B) & GPS (Port A) interface**



**"Y" Port A/Port B Dongle**



**(Use only as a reference. Your results may vary.)**

(Please report any errors or omissions to [N5TIM@arrl.net](mailto:N5TIM@arrl.net))

## OT2m Wiring Diagrams

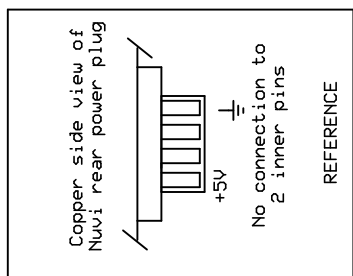
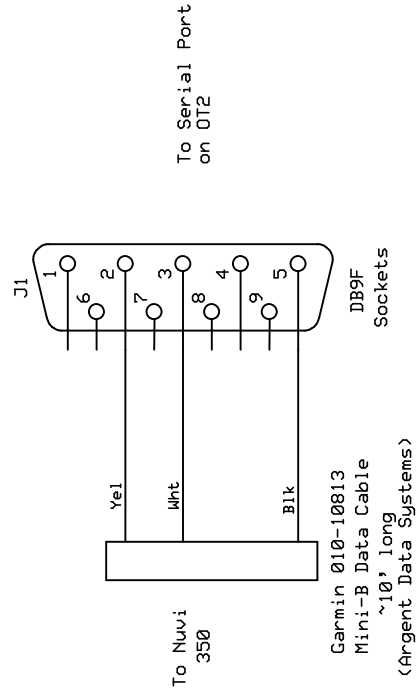
### N5TIM's Musings

John Galvin

Rev 1.0

6/22/2008

Garmin FMI Cable Interface



See Nuvu data-pwr cable page for more detail

**<Use only as a reference. Your results may vary.>**

<Please report any errors or omissions to NSTIM@garr1.net>