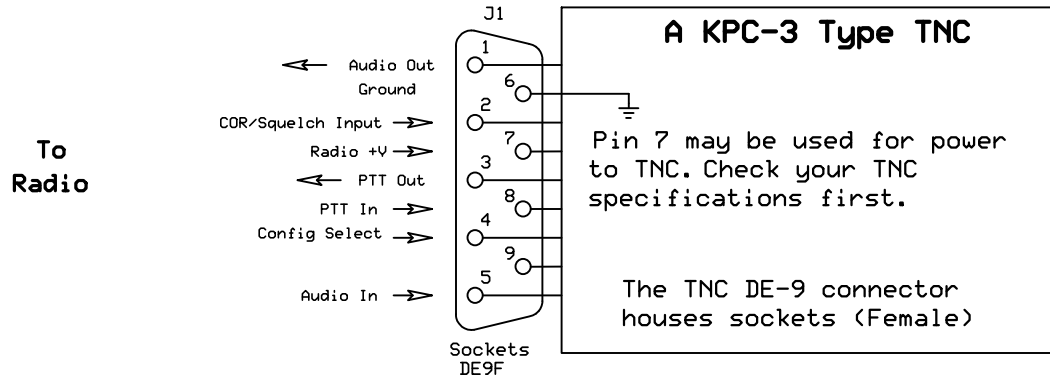


# Radio to TNC Interfaces

The interface drawings shown here use the KPC-3 DE-9F connector and pin definitions as the TNC interface standard

J1 is the TNC's radio connection port.  
 (Standardized on the KPC)  
 ( Arrows denote signal flow )



**Contents :**

- Page 2 - Yaesu Radios
- Page 3 - Icom Radios
- Page 4 - Kenwood Radios
- Page 5 - Other Radios
- Page 6 - TNC-X Wiring
- Page 7 - TNC Adapters
- Page 8 - Connector Diagrams

All Radio side DE-9 connector contain pins (Male)

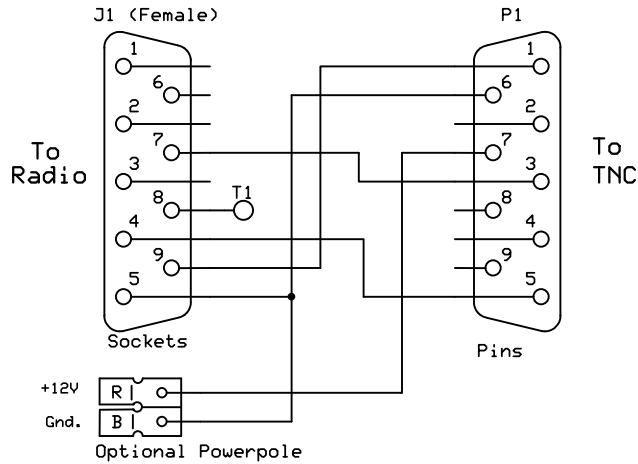
All interfaces are pinned for 1200 Baud operation

(Use only as a reference. Your results may vary.)

(Please report any errors or omissions to NSTIM@arrl.net)

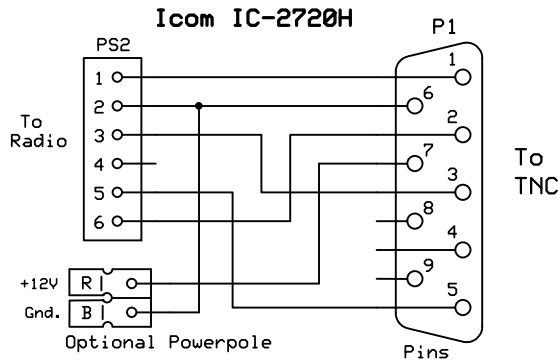
<b>Radio to TNC Interfaces</b>		
<b>N5TIM's Musings</b>		
John Galvin	Rev 1.3 (4/10/09) 12/24/2009	Page 1 of 8

### YAESU FT-2600



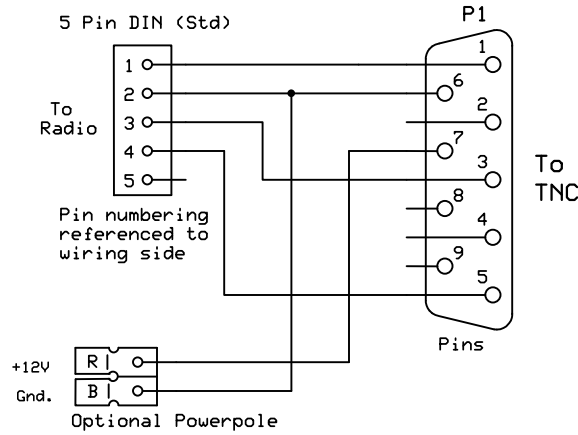
Set Menu #18 (PKT) to disable the microphone  
 T1 - +5V at 50 mA from 2600

### Yaesu FT-8100/8800 PS2



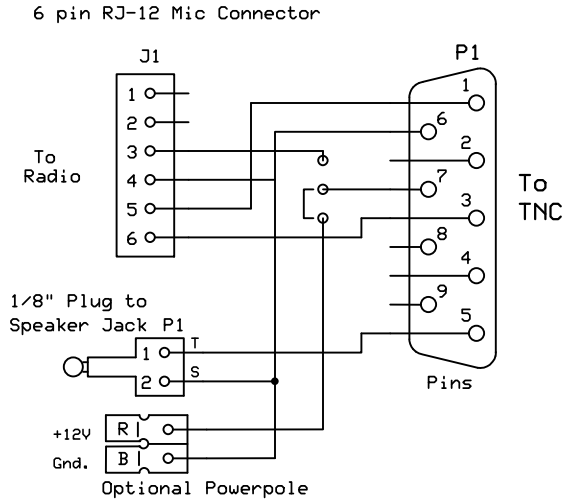
Software option may need to be set  
 for 1200 Baud operation and transmit side  
 P1-2 Squelch is optional  
 (PS2 = Mini DIN)

### Yaesu FT-227R



Pin numbering  
 referenced to  
 wiring side

### Yaesu FT-90



Set "21PKT" to "1200bps."

### \*\*\* NOTE \*\*\*

Pin 7 may be used for power  
 to TNC. Check your TNC  
 specifications first.

**(Use only as a reference. Your results may vary.)**

(Please report any errors or omissions to N5TIM@arrl.net)

## Radio to TNC Interfaces

## Yaesu Transceivers

John Galvin

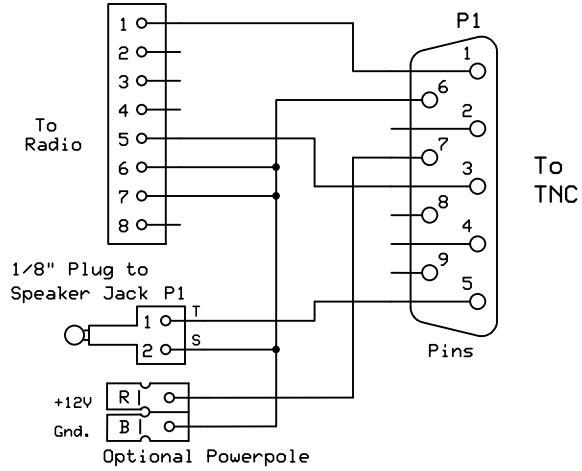
Rev 1.1a

Page 2 of 8

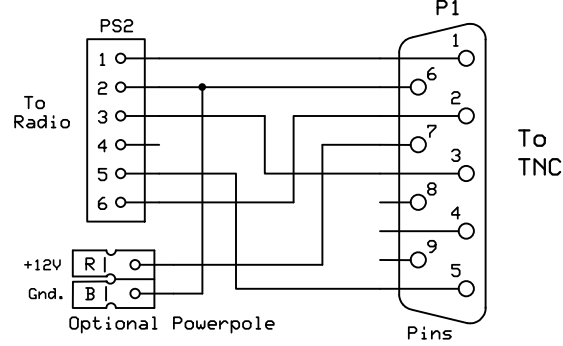
3/12/2007

### Icom IC-25

8 pin screw on Mic Connector



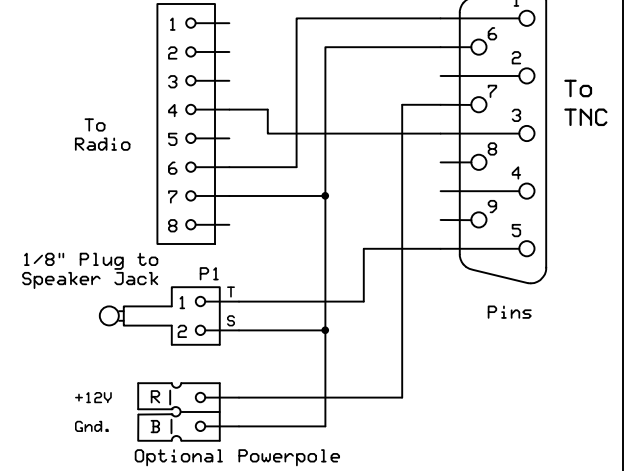
### Icom IC-2720H/208H PS-2 Yaesu FT-8100/8800 PS2



Software option may need to be set for 1200 Baud operation and transmit side  
P1-2 Squelch is optional  
(PS2 = Mini DIN)

### Icom IC-2100/2200H

RJ-45 Connector



**\*\*\* NOTE \*\*\***  
Pin 7 may be used for power to TNC. Check your TNC specifications first.

**(Use only as a reference. Your results may vary.)**

(Please report any errors or omissions to NSTIM@arr1.net)

## Radio to TNC Interfaces

### Icom Transceivers

John Galvin

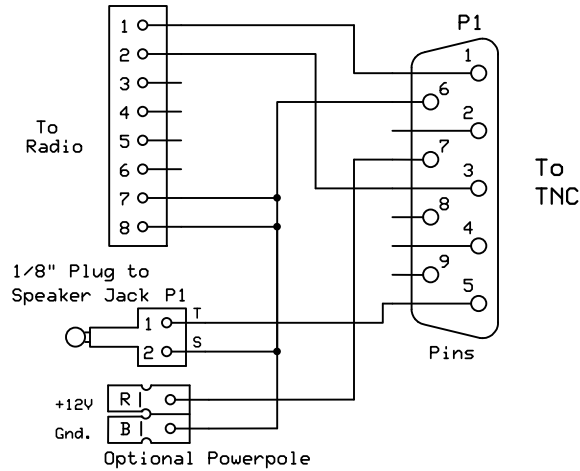
Rev 0.5

6/14/2012

Page 3 of 8

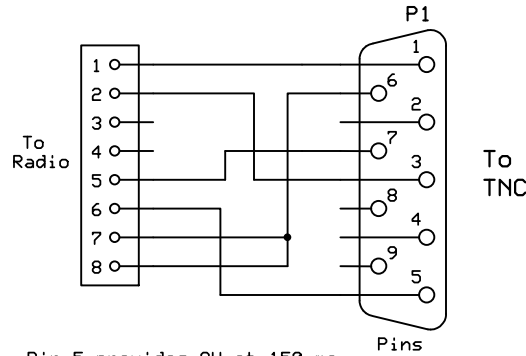
### Kenwood TM-201B

8 pin screw on Mic Connector



### Kenwood TM-241

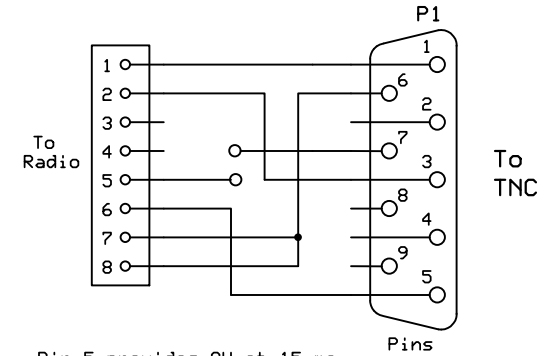
8 pin screw on Mic Connector



Pin 5 provides 8V at 150 ma.  
Pin 6 provides Audio at ~ 100mV/10k ohm  
Check Speaker Audio with volume control

### Kenwood TM-421A

8 pin screw on Mic Connector



Pin 5 provides 8V at 15 ma.  
Pin 6 RX Detector out ~ 100mV/10k ohm  
Use speaker out if drive level too low.  
Check Speaker Audio with volume control

#### \*\*\* NOTE \*\*\*

Pin 7 may be used for power to TNC. Check your TNC specifications first.

## Radio to TNC Interfaces

## Kenwood Transceivers

John Galvin

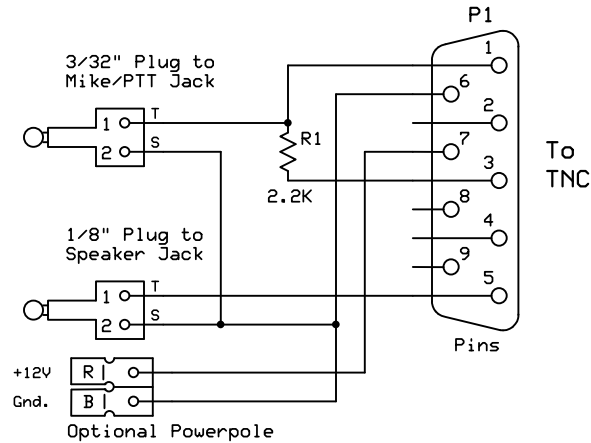
Rev 0.0  
6/17/2012

Page 4 of 8

(Use only as a reference. Your results may vary.)

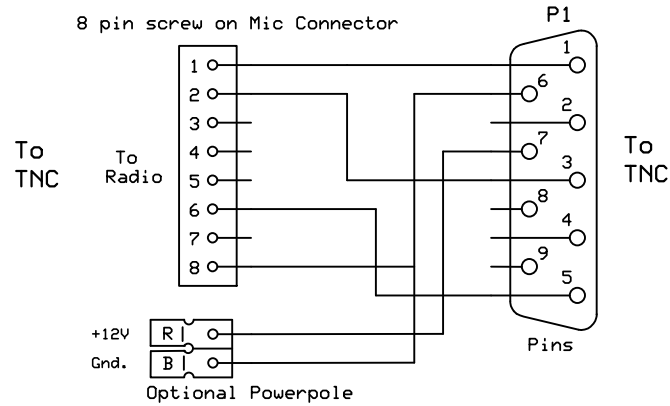
(Please report any errors or omissions to NSTIM@arrl.net)

### Alinco DR-180

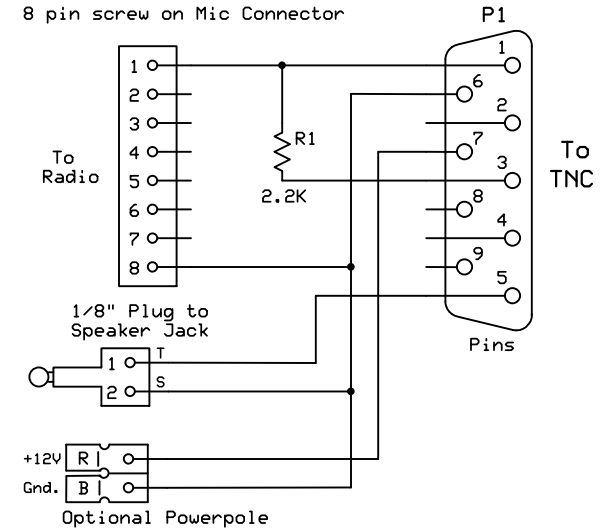


Note: For HT only use, install jumper "HT" and wire directly to P1-1. Omit resistor to P1-3.

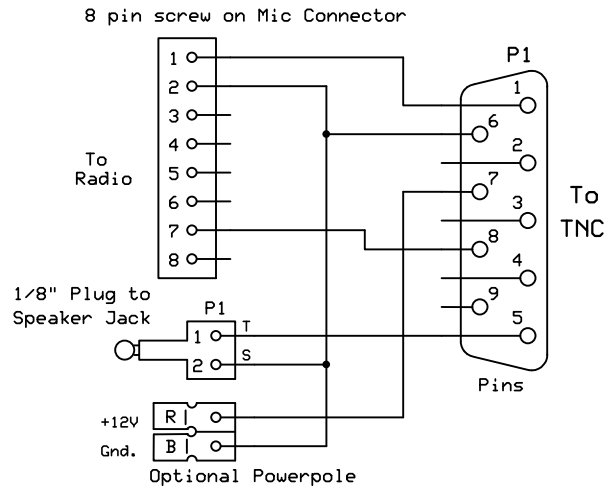
### Alinco DR-1200



### RS HTX-252



### AZDEN PCS-5000



**\*\*\* NOTE \*\*\***  
Pin 7 may be used for power to TNC. Check your TNC specifications first.

(Use only as a reference. Your results may vary.)

(Please report any errors or omissions to N5TIM@arr1.net)

## Radio to TNC Interfaces

### Other Transceivers

John Galvin

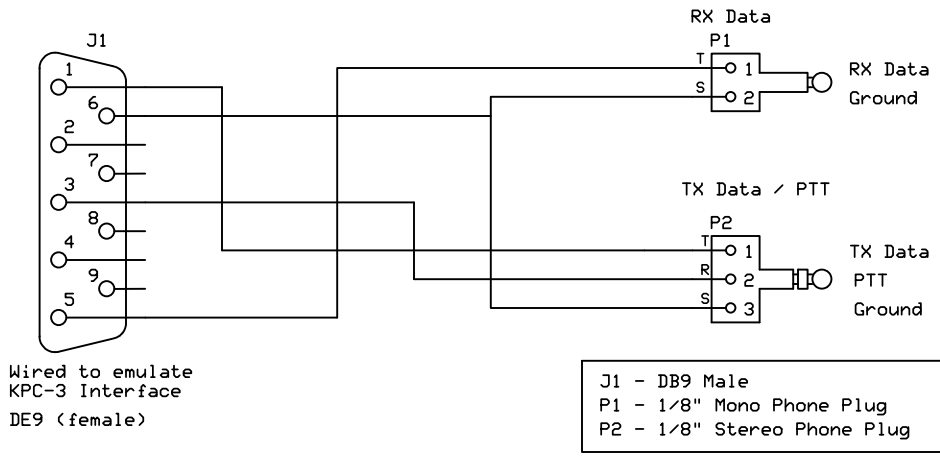
Rev 1.1

Page 5 of 8

5/21/2009

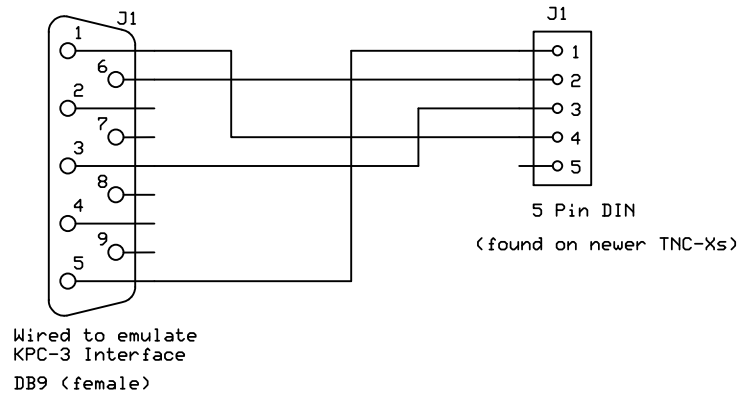
To/From RADIO

To/From TNC-X



To/From RADIO

To/From TNC-X with  
5 pin DIN Connector

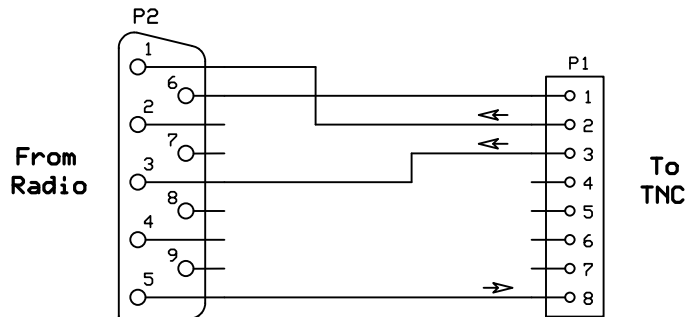


**(Use only as a reference. Your results may vary.)**

(Please report any errors or omissions to N5TIM@arrl.net)

<b>Radio to TNC Interfaces</b>		
<b>TNC-X Information</b>		
Designer's name	Rev 1.0	Page 6 of 8
	7/18/2010	

### PK-88 Adapter

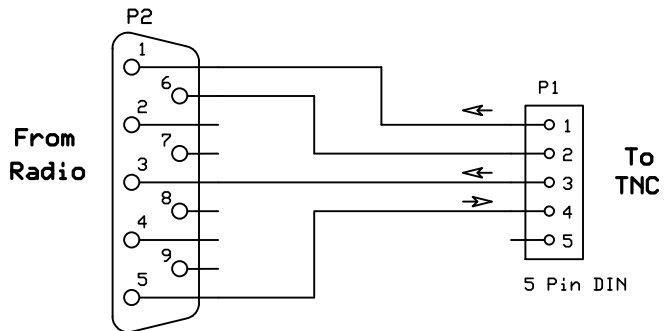


Sockets  
DE9F

P1 - 8 pin screw on PK-88 Connector

Set Receive Audio with volume control

### AEA PK-12 Adapter



Sockets  
DE9F

5 Pin DIN

**Radio to TNC Interfaces**

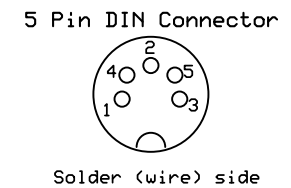
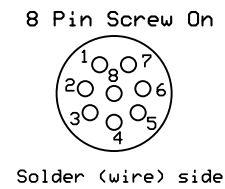
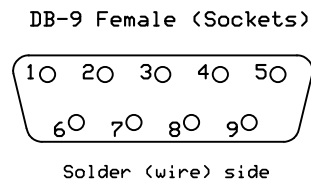
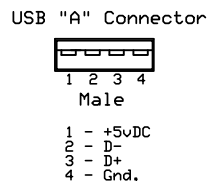
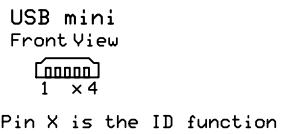
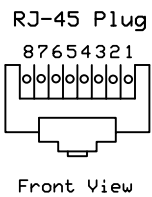
**TNC ADAPTERS**

Designer's name

Rev 1.0

3/17/2012

Page 7 of 8



**<Use only as a reference. Your results may vary.>**  
 (Please report any errors or omissions to NSTIM@arrl.net)

<b>Radio to TNC Interfaces</b>		
<b>Connectors</b>		
Designer's name	Rev 1.0	Page 8 of 8
	10/2/2010	