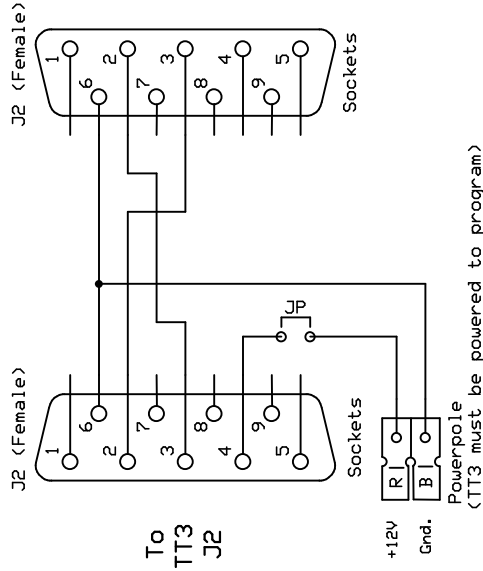
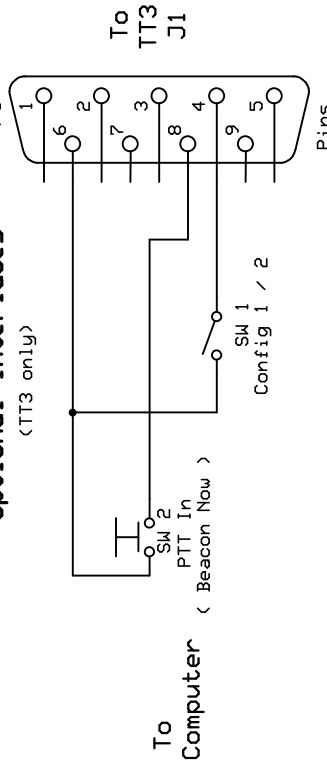


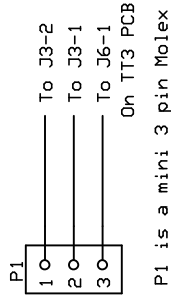
**Programming Cable**



**Optional Interfaces**  
(TT3 only)



**TT3 Power Control Cable**



With +12V on the Power Control Module you can power the TT3 from it.

See **Power Switch 2 Drawing**

**<Use only as a reference. Your results may vary.>**

(Please report any errors or omissions to NSTIM@arrl.net)

**TinyTrack Radio Interfaces**

**NSTIM's Musings**

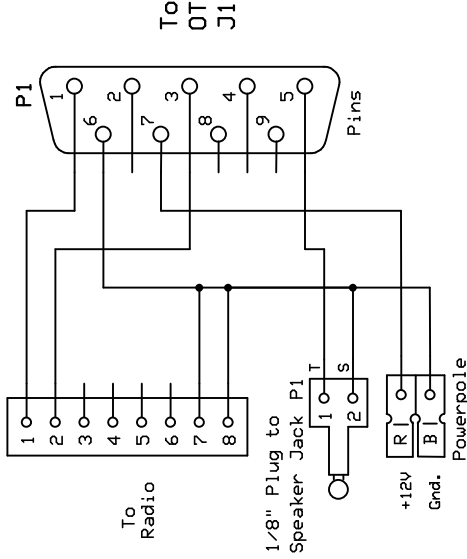
John Galvin

Rev 0.9.2  
12/24/2005

Page 1 of 2

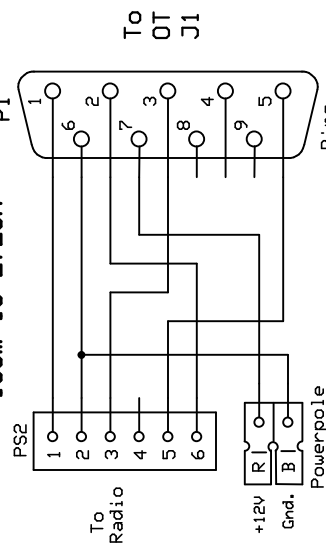
### Kenwood TM-201B

8 pin screw on Mic Connector



### Yaesu FT-8100/8800 PS2

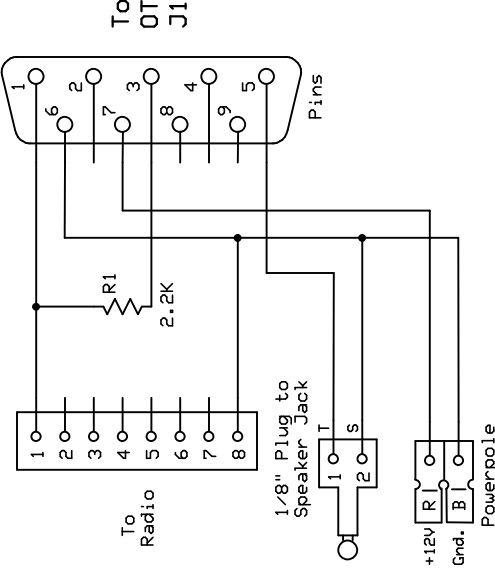
Icom IC-2720H



This design uses the Carrier Detect feature.  
Select "Invert CD" on Tracker

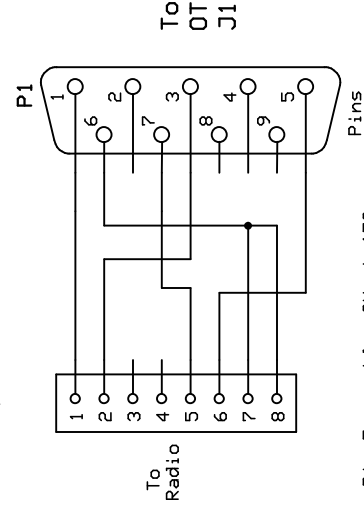
### RS HTX-252

8 pin screw on Mic Connector



### Kenwood TM-241

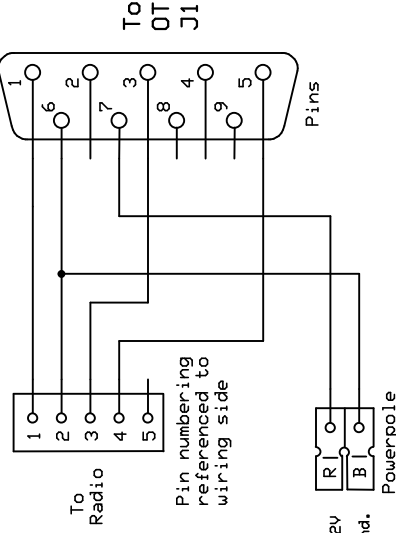
8 pin screw on Mic Connector



Pin 5 provides 8V at 150 ma.  
Pin 6 provides Audio at ~ 100mV/10k ohm  
Check Speaker Audio with volume control

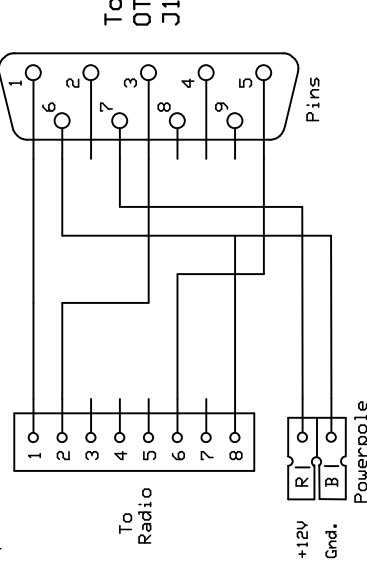
### Yaesu FT-227R

5 Pin DIN (Std)



### Alinco DR-1200

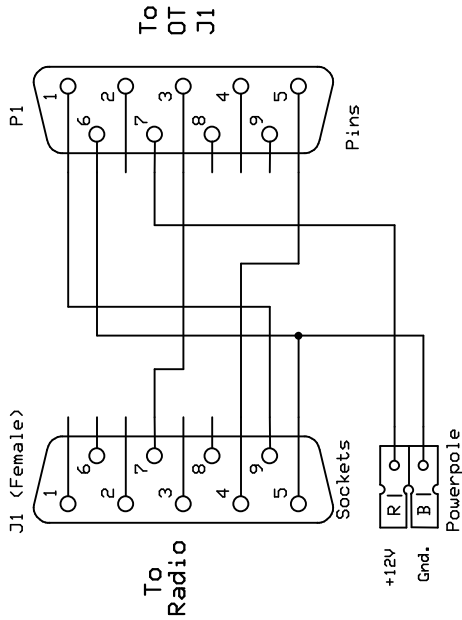
8 pin screw on Mic Connector



**(Use only as a reference. Your results may vary.)**

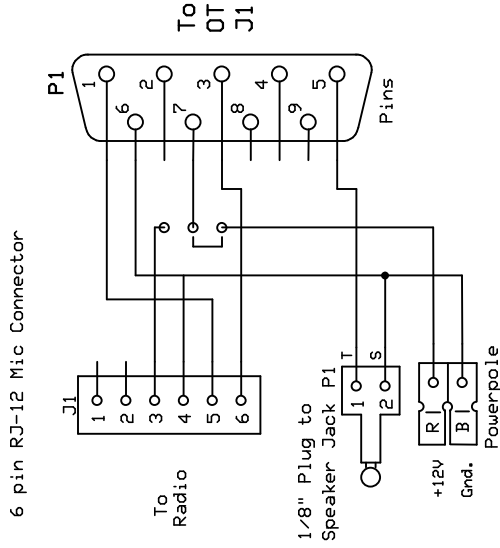
(Please report any errors or omissions to NSTIM@arr1.net)

**YAESU FT-2600**



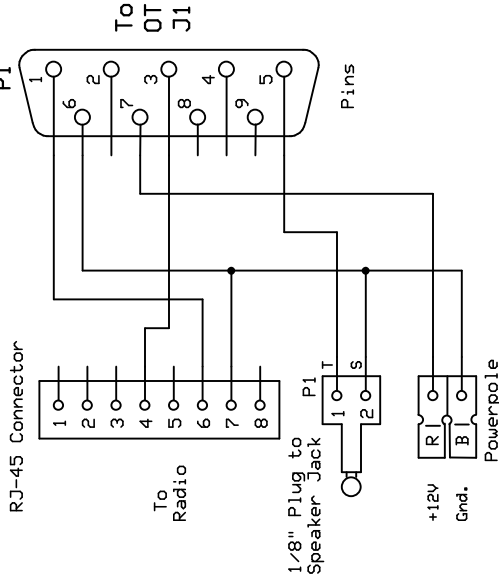
Set Menu #18 (PKT) to disable the microphone

**Yaesu FT-90**

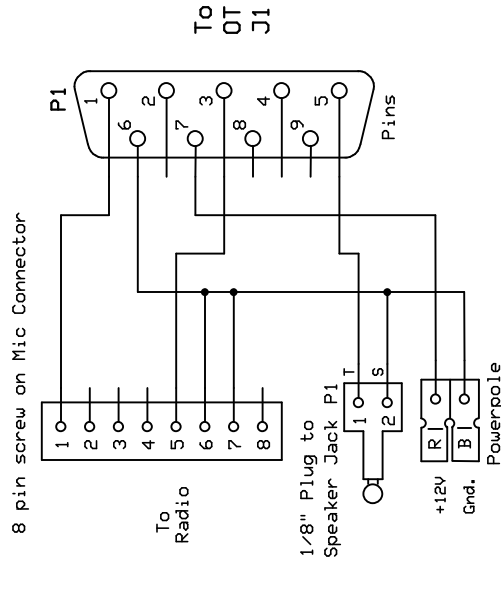


Set "21PKT" to "1200bps."

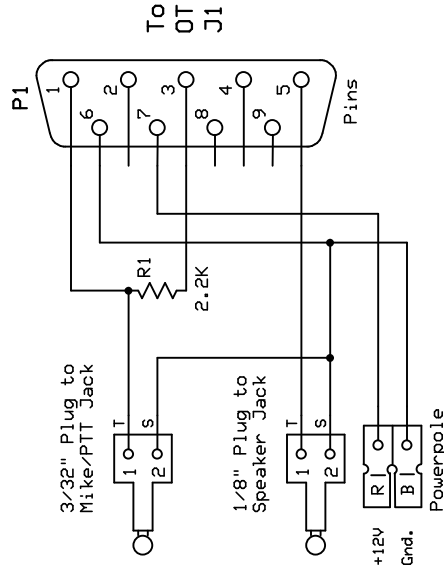
**Icom IC-2100/2200H**



**Icom IC-25**



**Alinco DR-180**



**Tracker Radio Interfaces**

**N5TIM's Musings**

Rev 1.2.1 (2/09)

John Galvin

3/12/2007

Page 3 of 3

**(Use only as a reference. Your results may vary.)**

(Please report any errors or omissions to N5TIM@arrl.net)