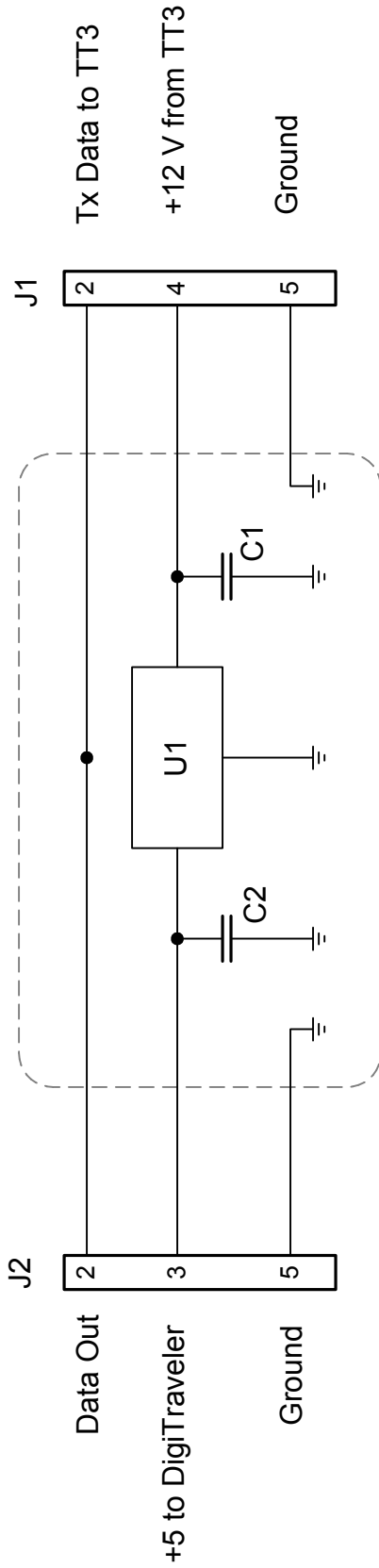


DigiTraveler to TT3 power interface.



Note:

DigiTraveler is "hacked" to use the +5 V from the regulator to
 1) power the unit and 2) apply a turn on voltage to the DT.

A jumper wire must be installed inside the DigiTraveler to connect the +5 V on pin 3 to the positive output of the diode bridge to supply power to the unit.

J1 wired to mate with J2 on TT3.

J2 is part of the supplied DigiTraveler cable assembly with the PDA connector removed.

The regulator circuitry is housed in a small plastic box.

Interface assembly is approximately 8" in length.

- U1 - 7805
- C1,2 - 0.1 uF Cap.
- J1 - DB9-Female
- J2 - RJ-11 (6 pin)

