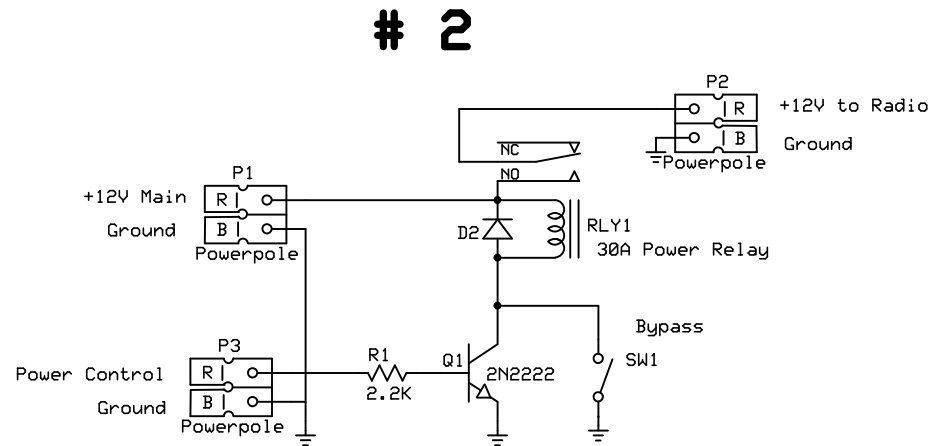
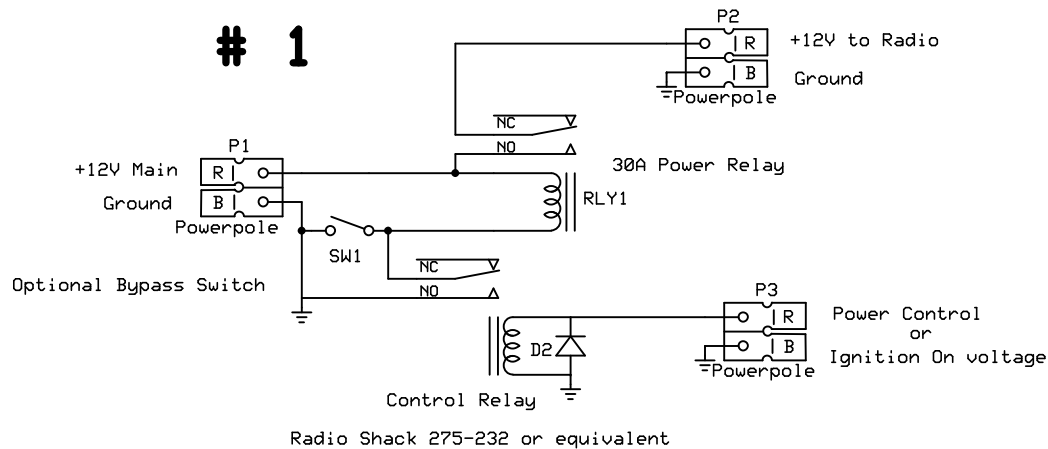


# Relay Versions

P1, P2 & P3 are Powerpole connectors

( One could substitute the Radio style "T" connectors and insert switch at the Radio )

Size wire supplying radio power appropriately.



(Use only as a reference. Your results may vary.)

(Please report any errors or omissions to N5TIM@arr1.net)

Tracker Radio Power Control

N5TIM's Musings

John Galvin

Rev 2.2

11/3/2006

Page 1