

Solid State Version #2

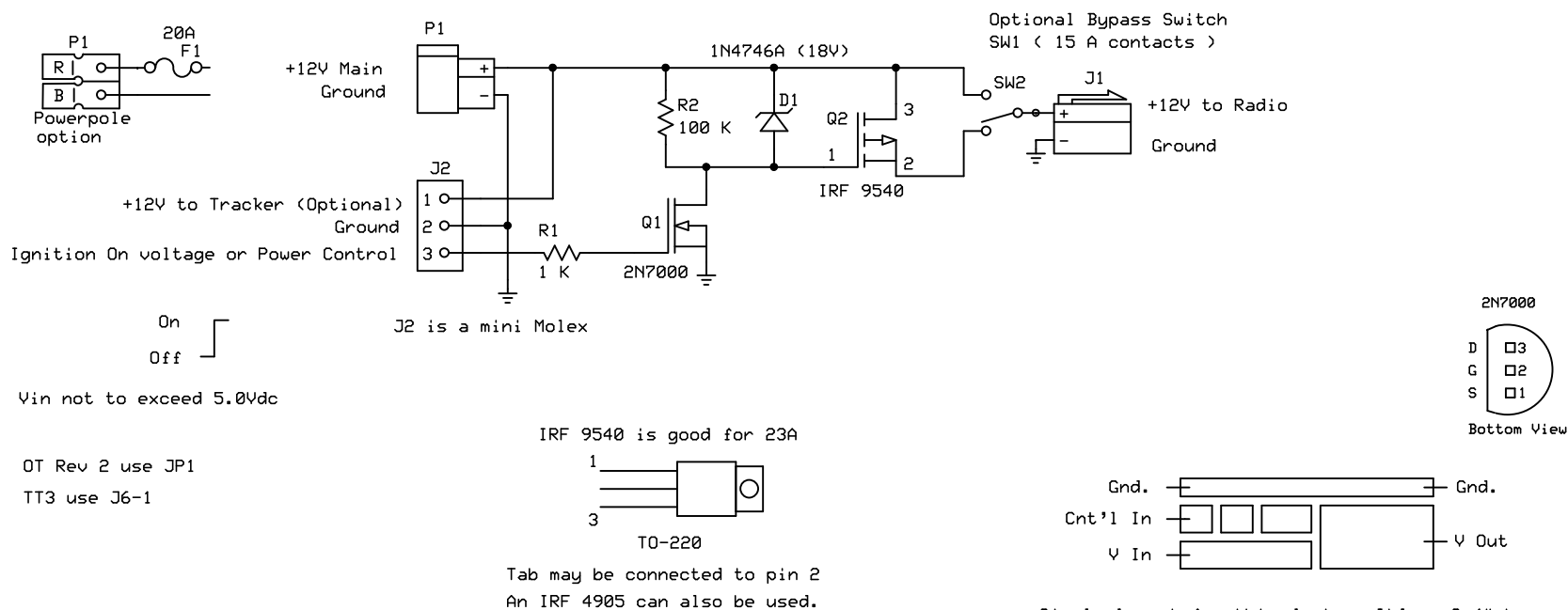
(This version's electronic parts cost less than \$3.00)

P1 and J1 as shown are Radio Style "T" male and female connectors. This allows the switch to be inserted in line with the power cord. P1 could be replaced with a powerpole and wired to the power source.

Powerpole connectors can be used place of P1 and J1.

Size wire supplying radio power appropriately. Q2 requires adequate heatsink.

Diode limits on cycle for low battery conditions. From an original design by ZL1VF0.



Simple layout for this design. It's a 3/4" by 1 3/4" copper clad with the copper seperated into islands using a X-acto knife.

Pin 2 of Q2 is cut off and tab is soldered to large pad for power out.

If you have double sided PCB material, then you can also use the back for ground.

Radio Power Control

N5TIM's Musings

John Galvin

Rev 1.1

7/12/2007 (C-05/08)

Page 2 of 2

(Use only as a reference. Your results may vary.)

(Please report any errors or omissions to N5TIM@arrl.net)