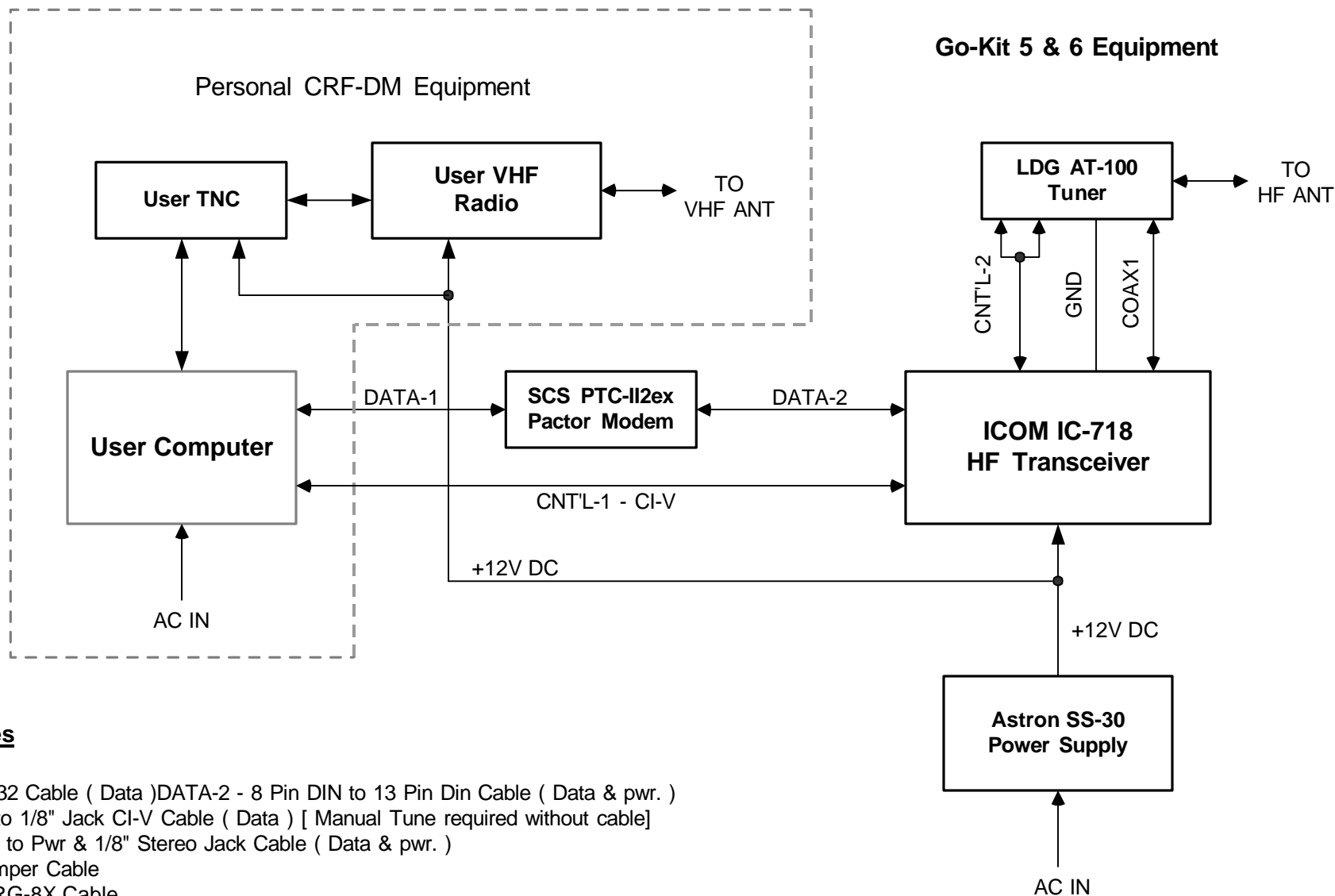


NTX RDCST - Full station configuration for CRF- DHw



Go-Kit Cables

DATA-1* - RS-232 Cable (Data) DATA-2 - 8 Pin DIN to 13 Pin Din Cable (Data & pwr.)

CNT'L-1 - USB to 1/8" Jack CI-V Cable (Data) [Manual Tune required without cable]

CNT'L-2 - Molex to Pwr & 1/8" Stereo Jack Cable (Data & pwr.)

COAX-1 - 3' Jumper Cable

COAX-2 - 100' RG-8X Cable

GND - Spade Lug to Spade Lug Cable

* User cable

Note 1 - DATA-1 cable may require USB to Serial Adapter

Note 2 - CD in kit with drivers for CNT'L-1 cable

NTX RDCST Go-Kit Systems Diagram

KT5TFD

6/2011 R-0.1(3/14)