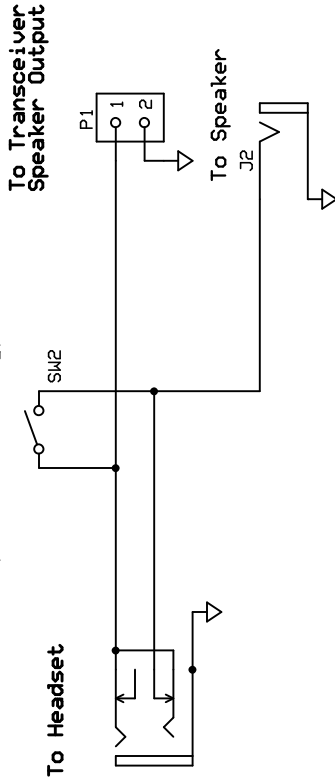
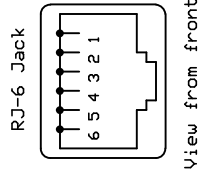


Optional Audio Bypass

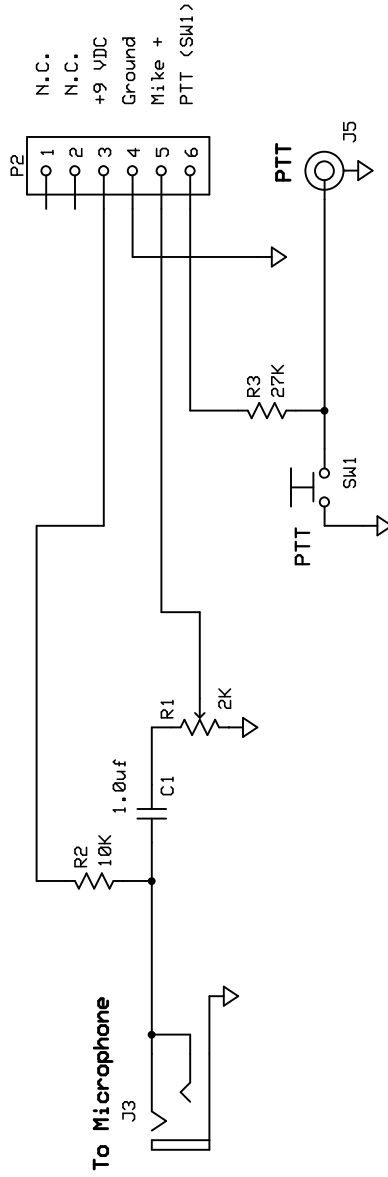


To Computer Style Headset



View from front

RJ-6 to Transceiver



From an original electrical design by W5BJ

<Use only as a reference. Your results may vary.>

(Please report any errors or omissions to NSTIM@arrl.net)

FT-8100 Headset Interface

NSTIM's Musings

Rev 1.1
8/19/2004

John Galvin

Page 1 of 1