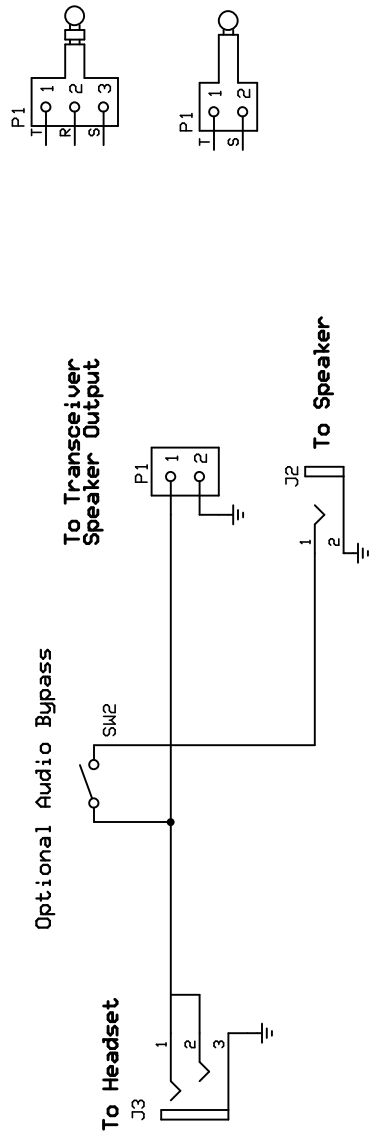
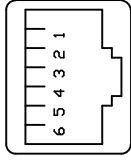


**Optional Audio Bypass**



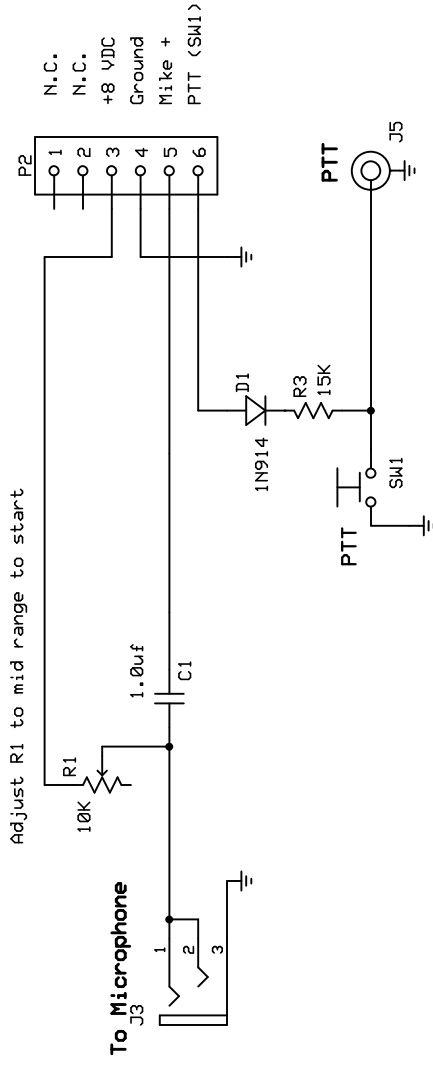
RJ-6 Jack



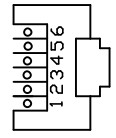
View from front of FT-8800

**To Computer Style Headset**

**RJ-6 to Transceiver**



RJ-6 Plug



Front View

From an original electrical design by W5BJ

**FT-8800 Headset Interface**  
**NSTIM's Musings**

**<Use only as a reference. Your results may vary.>**

(Please report any errors or omissions to NSTIM@arrl.net)