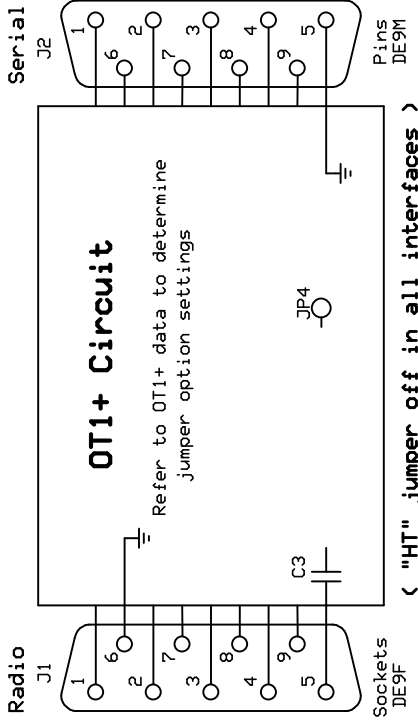
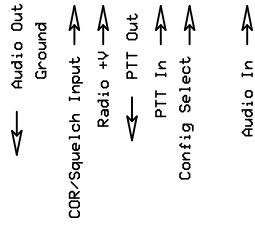
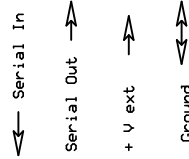


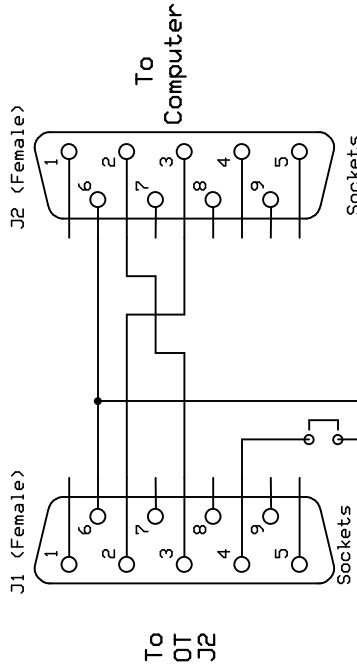
J1 is the Radio connection port.



J2 is the Programming Port as well as the GPS serial input port.

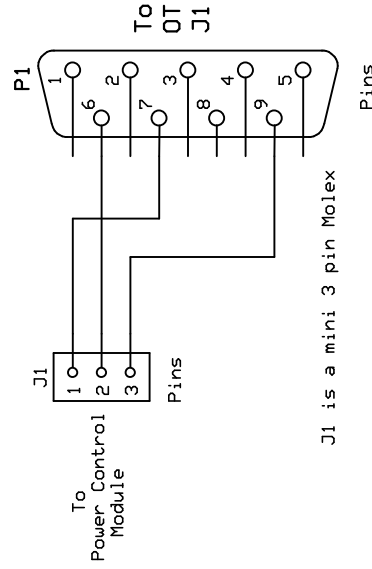


Programming Cable



(OT must be powered to program)
 OT jumper must be set to 12 V if you use external voltage on J1.

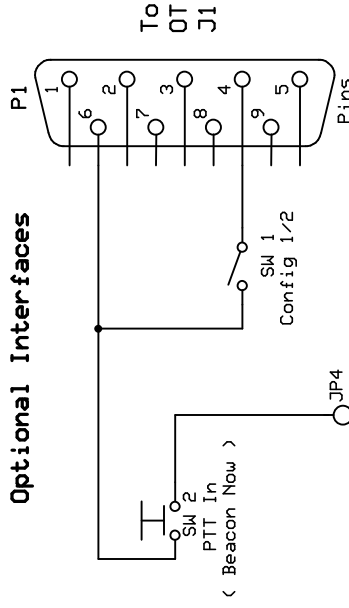
Power Control Connections



J1 is a mini 3 pin Molex

See Power Switch 2 Drawing
 With +12V on the Power Control Module you can power the OT from it.

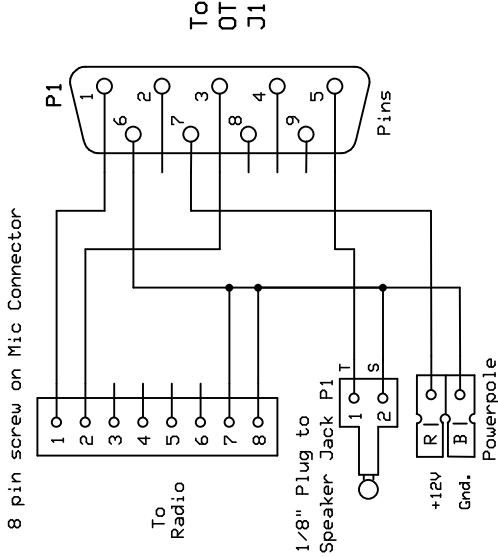
Optional Interfaces



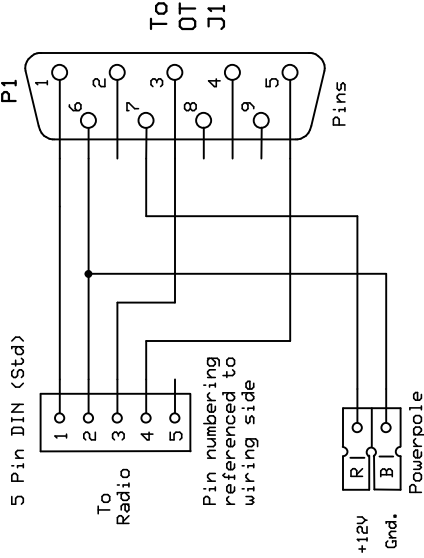
See Tracker documentation for details and programming on these functions.

<Use only as a reference. Your results may vary.>

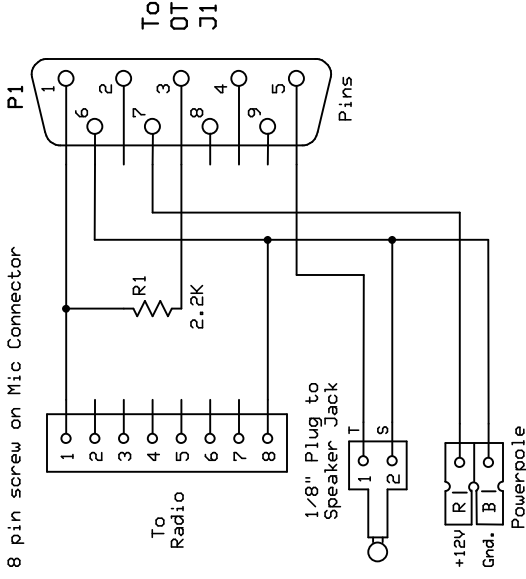
Kenwood TM-201B



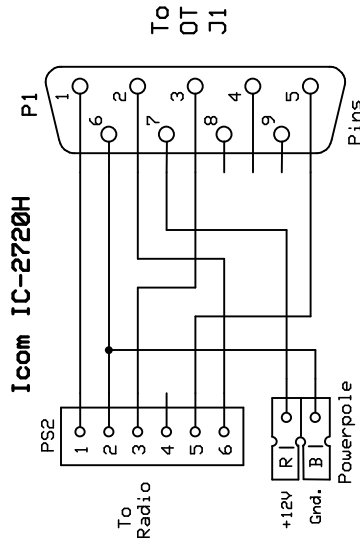
Yaesu FT-227R



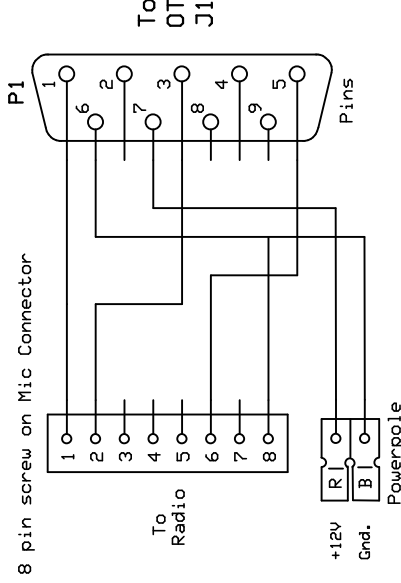
RS HTX-252



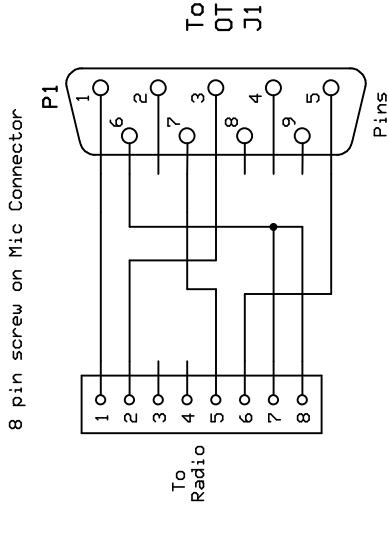
Yaesu FT-8100/8800 PS2



Alinco DR-1200



Kenwood TM-241



This design uses the Carrier Detect feature. Select "Invert CD" on Tracker

Pin 5 provides 8V at 150 ma.
Pin 6 provides Audio at ~ 100mV/10k ohm
Check Speaker Audio with volume control

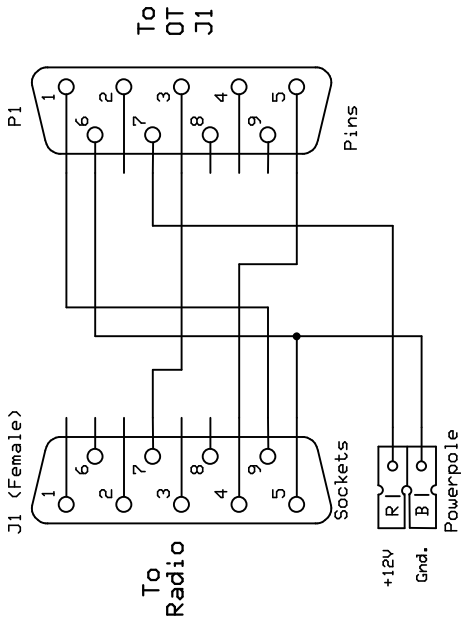
Tracker Radio Interfaces

NSTIM's Musings

(Use only as a reference. Your results may vary.)

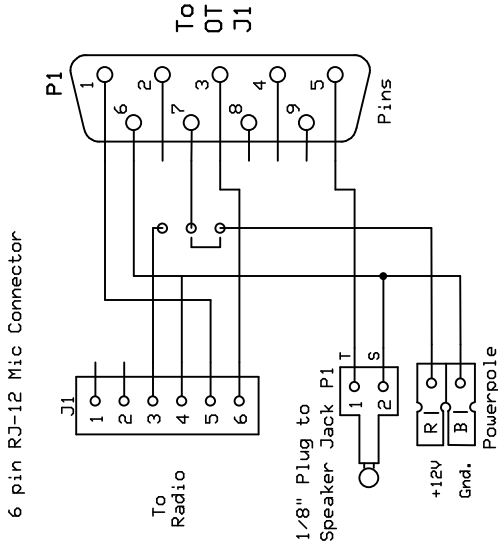
(Please report any errors or omissions to NSTIM@arr1.net)

YAESU FT-2600



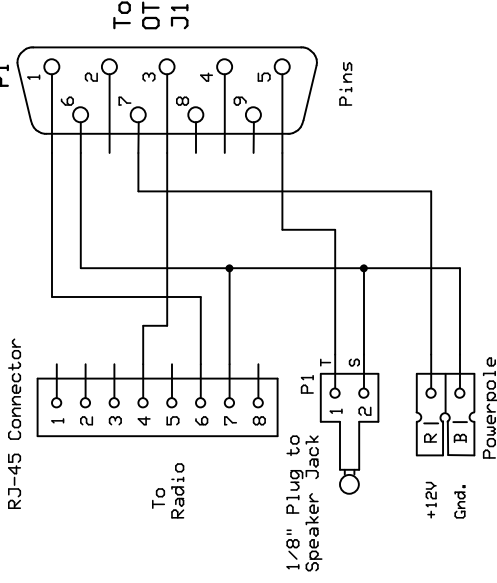
Set Menu #18 (PKT) to disable the microphone

Yaesu FT-90

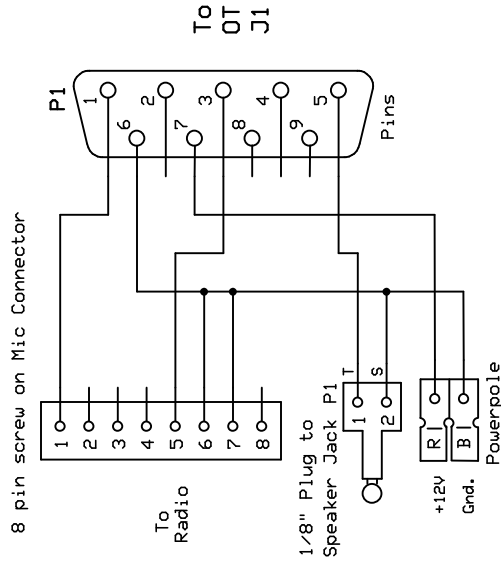


Set "21PKT" to "1200bps."

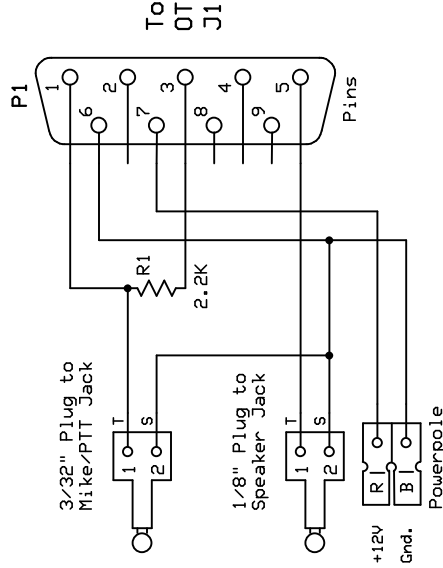
Icom IC-2100/2200H



Icom IC-25

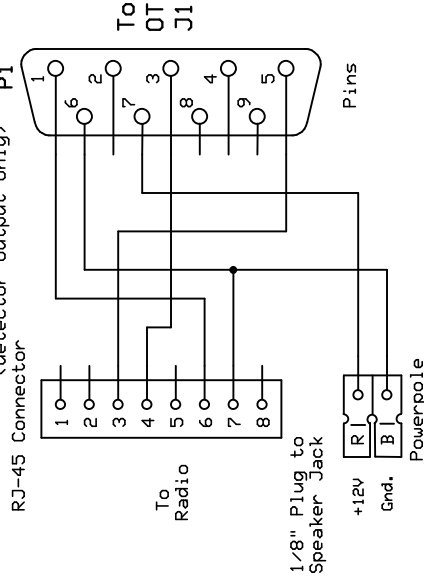


Alinco DR-180



Note: For HT only use, install jumper "HT" and wire directly to P1-1. Omit resistor to P1-3.

Icom IC-2100/2200H
(Detector Output Only)

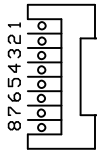


Tracker Radio Interfaces

NSTIM's Musings

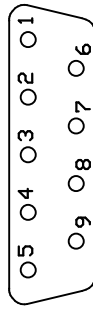
(Use only as a reference. Your results may vary.)

RJ-45 Plug



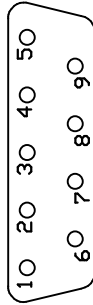
Front View

DB-9 Male (Pins)



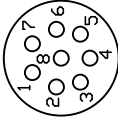
Solder (wire) side

DB-9 Female (Sockets)



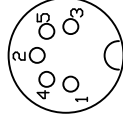
Solder (wire) side

8 Pin Screw On



Solder (wire) side

5 Pin DIN Connector



Solder (wire) side

Tracker Radio Interfaces

Connectors

John Galvin

Rev 1.0
5/21/2009