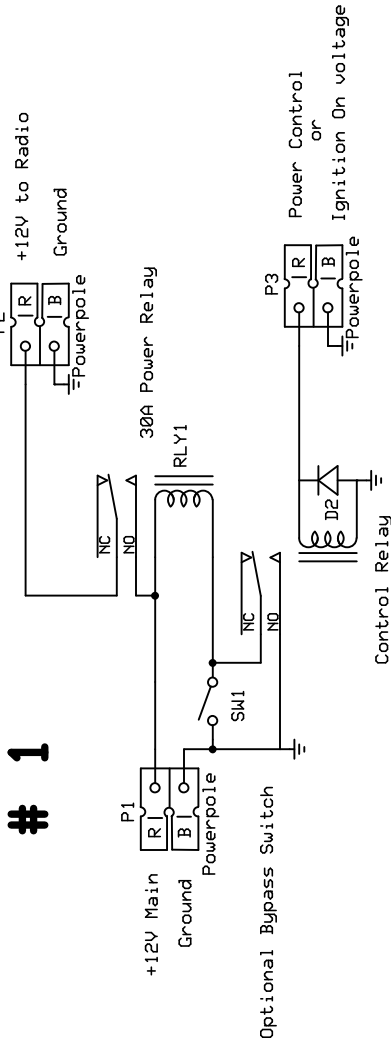


# Relay Versions

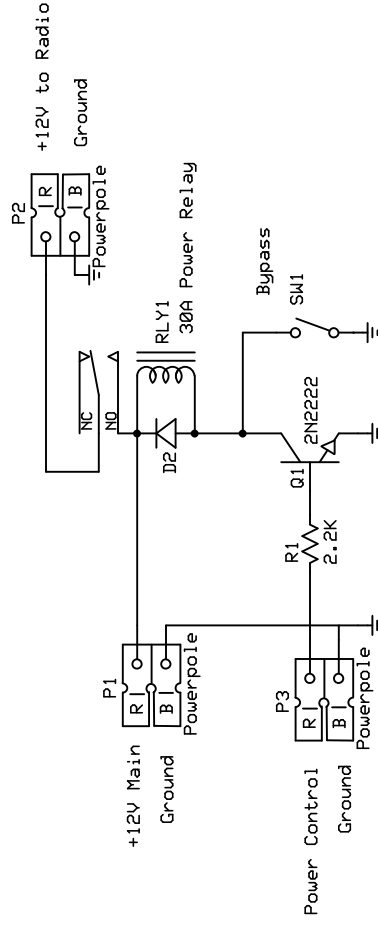
P1, P2 & P3 are Powerpole connectors

< One could substitute the Radio style "T" connectors and insert switch at the Radio >  
 Size wire supplying radio power appropriately.



Radio Shack 275-232 or equivalent

## # 2



**(Use only as a reference. Your results may vary.)**

(Please report any errors or omissions to NSTIM@arrl.net)